

## SPARE PARTS LIST

---

### Tremix Trowel G 610 E

---



**TREMIX®**



# SPARE PART LIST

## TREMIX Trowel G610E

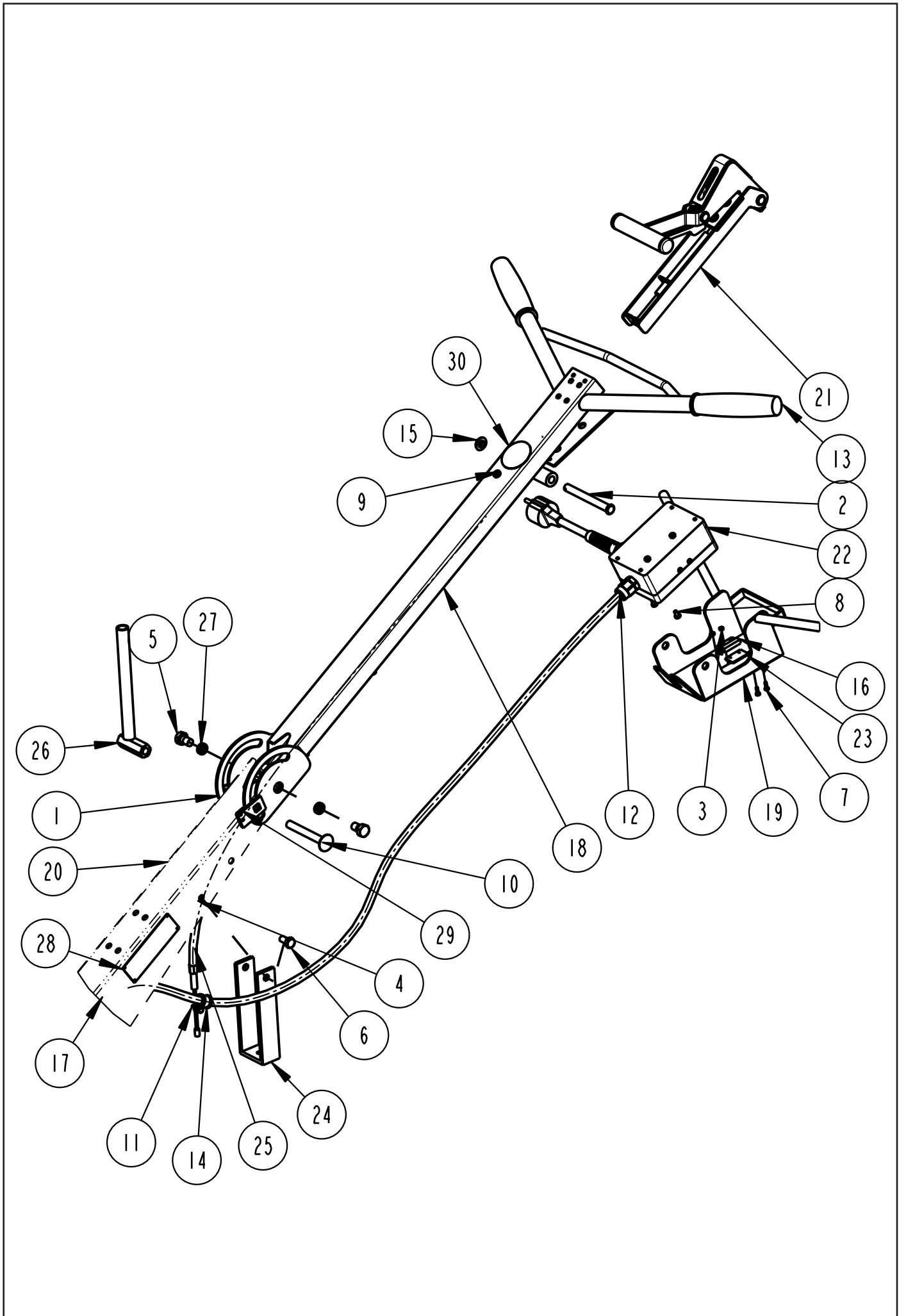
Date 0601

### Contents

Page 4-5	Handle
Page 6-7	Rotor
Page 8-9	Spider
Page 10-11	Quick Pitch
Page 12-13	Control Box

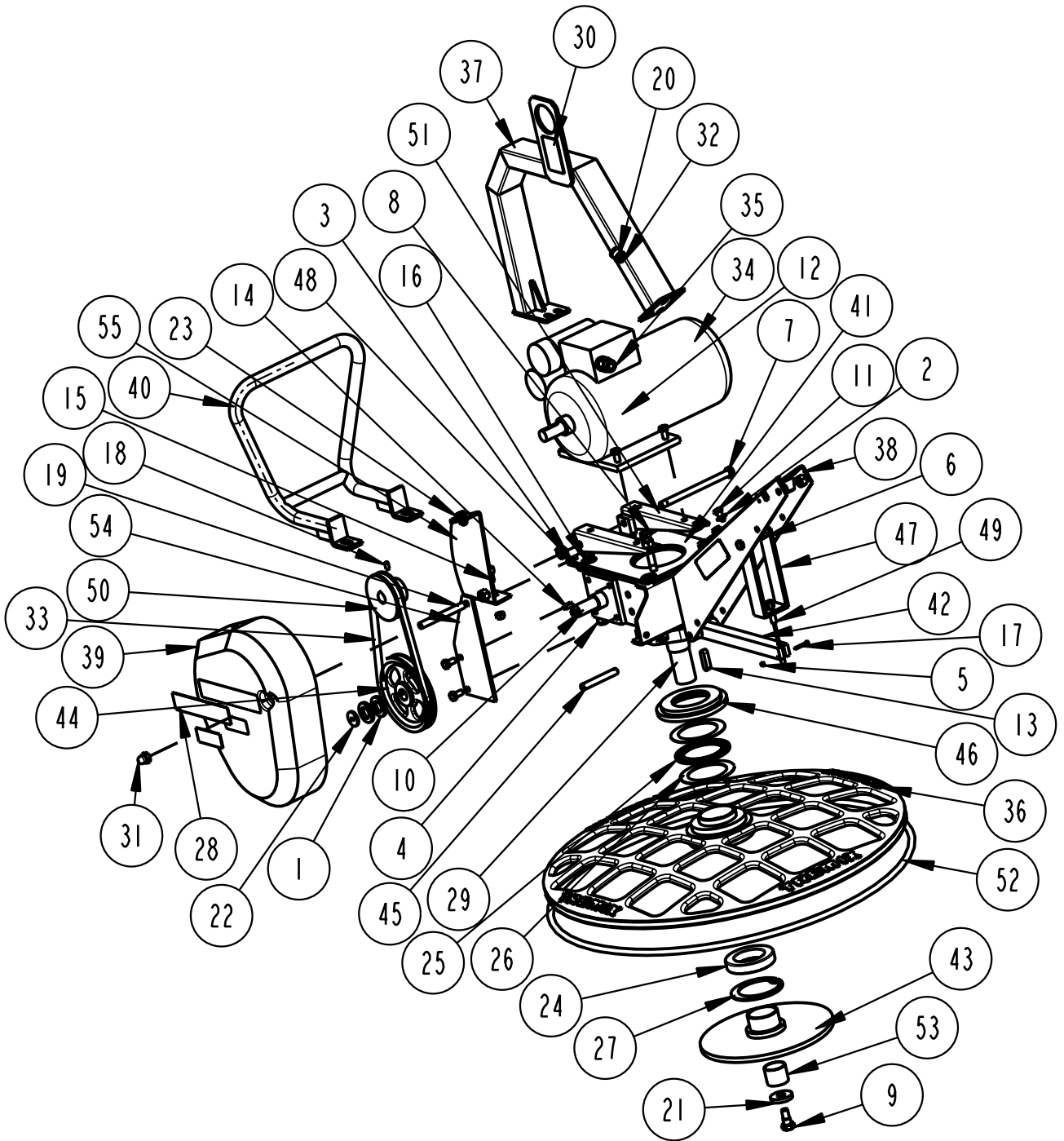
## SPARE PART LIST

		TREMIX Trowel G610E		
Date 0601				
Pos	NO	DENOMINATION		Qty
1		Washer	BRB 12x22x2 fzb	1
2		Cylindric bolt	HCB 10x95 fzb	1
3		Nut	M6M 3 fzb	2
4		Nut	M6M 8 Nyloc	2
5		Screw	M6S 10x16 fzb	2
6		Screw	M6S 8x16 fzb	2
7		Screw	MRX 3x12 fxb	2
8		Screw	MRX 4x8 fzb	4
9		Screw	MRX 5x40 fzb	3
10		Screw	MVBF 10x80 fxb	1
11		Screw	Superteks HB 4.2x13	1
12	001019	Cable		1
13	001213	Rubber handle		2
14	002815	Rubber clamp		3
15	002817	Locking washer capped		1
16	003314	Magnet		1
17	003899	Cable gland		1
18	022311	Handle		1
19	022312	Security handle		1
20	022315	Handle bracket		1
21	033085	Quick Pitch, assy		1
22	033101	Control box assy		1
23	047950	Isolation washer		1
24	048986	Arch		1
25	049000	Blade adjustment wire		1
26	049051	Locking lever		1
27	049052	Distance sleeve		2
28	049087	CE sign plate		1
29	049200	Locking washer capped		1
30	281898	Decal "Ear protection"		1



## SPARE PART LIST

		TREMIX Trowel G610E		
Date 0601				
Pos	NO	DENOMINATION		Qty
1		Washer	20x34x4	2
2		Washer	BRB 8.4x17x1.6 fzb	4
3		Nut	M6M 10	3
4		Nut	M6M 10 Nyloc	5
5		Nut	M6M 3 Nyloc	1
6		Nut	M6M 8 Nyloc	2
7		Screw	M6S 10x140 fzb	1
8		Screw	M6S 10x60 helgängad fzb	1
9		Screw	M6S 12x35 fzb	1
10		Screw	M6S 6x16 fzb	1
11		Screw	M6S 8x16 fzb	9
12		Screw	M6S 8x18 fzb	4
13		Flat key	Mattson RK10x8x30	1
14		Flat key	Mattsons TK 6x6x16	1
15		Screw	MC6S 8x16 fzb	1
16		Screw	MF6S 10x110 fzb	5
17		Screw	MRX 3x25 fzb	1
18		Screw	P6ss 6x12 fzb	1
19		Screw	PS 10x90 fzb	1
20		Screw	Superteks HB 4.2x13	1
21		Washer	TBR SB 13x36x6 fzb	1
22		Washer	TBR SB 6.5x25x3 fzb	1
23		Washer	TBR SB 8.4x26x5	1
24	000115	Ball bearing		1
25	000165	Axial bearing		1
26	000166	Axial washer		2
27	000457	Retaining clips		1
28	002217	Decal "Tremix"		1
29	002223	Worm gear		1
30	002677	Decal "Lift"		1
31	002773	Capped locking nut		1
32	002815	Rubber clamp		1
33	002826	Belt		1
34	003711	Electric motor		1
35	003899	Cable gland		1
36	022301	Protection ring		1
37	022313	Lifting arch		1
38	022315	Handle bar bracket		1
39	022318	Belt cover		1
40	033059	Tilting bracket		1
41	033061	Motor plate		1
42	033063	Fork		1
43	033090	Pressure plate		1
44	033097	Belt wheel		1
45	047860	Shaft		1
46	048926	Pressure sleeve		1
47	048986	Arch		1
48	048996	Distance plate		1
49	049000	Blade adjustment wire		1
50	049030	Pulley		1
51	049031	Motor bracket		2
52	049057	PVC-ring		1
53	049062	Distance sleeve		1
54	049080	Belt cover bracket		1
55	049082	Belt cover plate		1

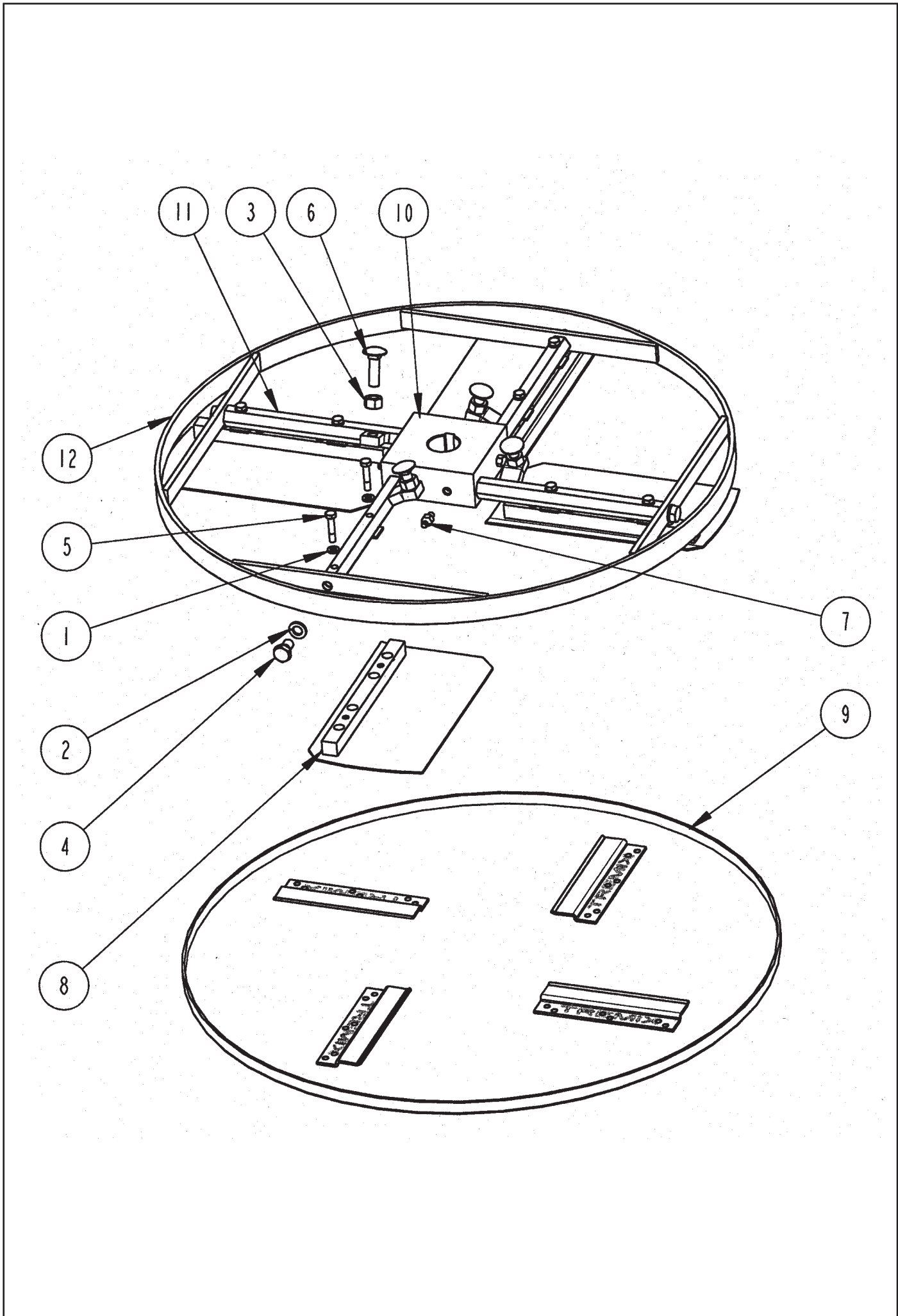


## SPARE PART LIST

### TREMIX Trowel G610E

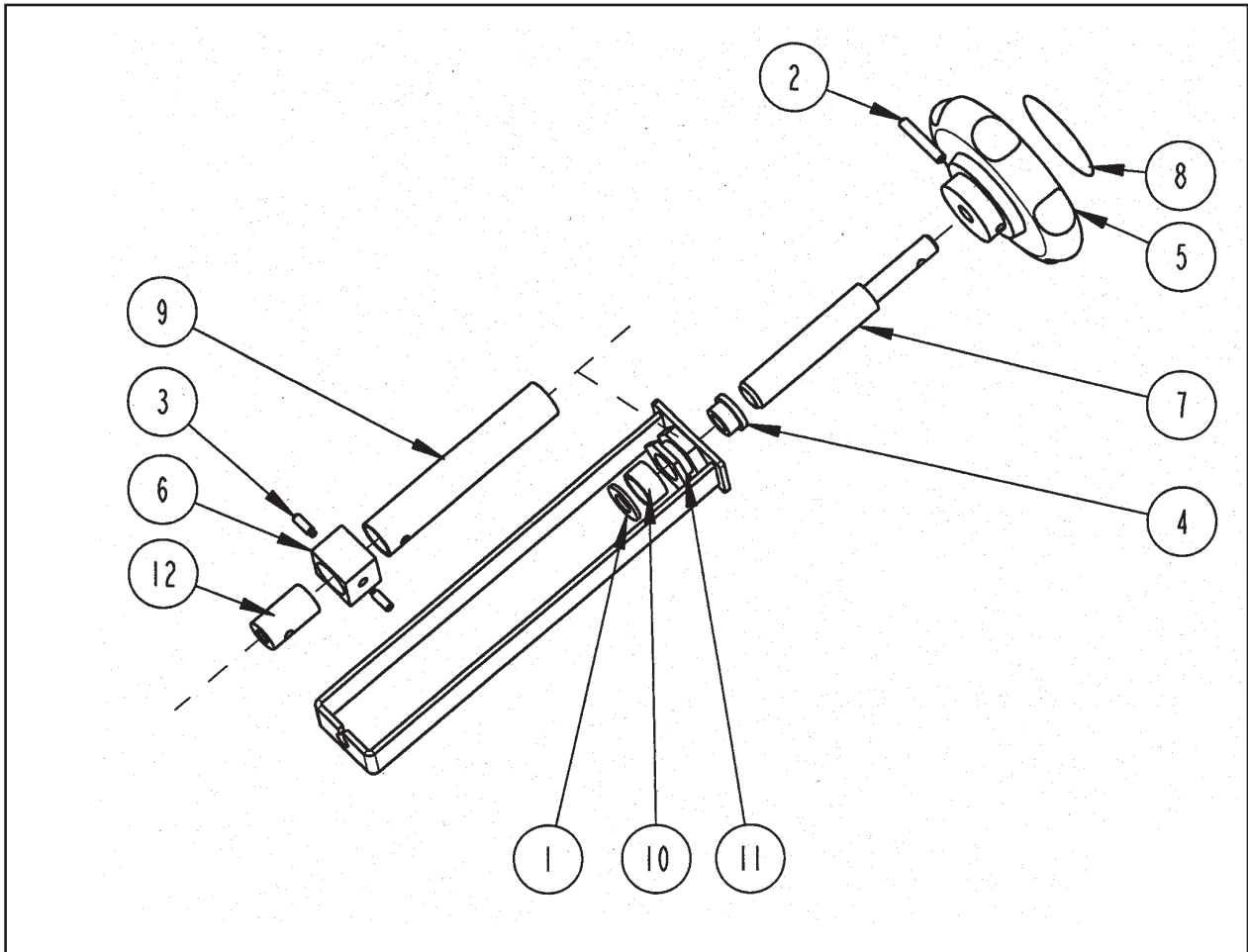
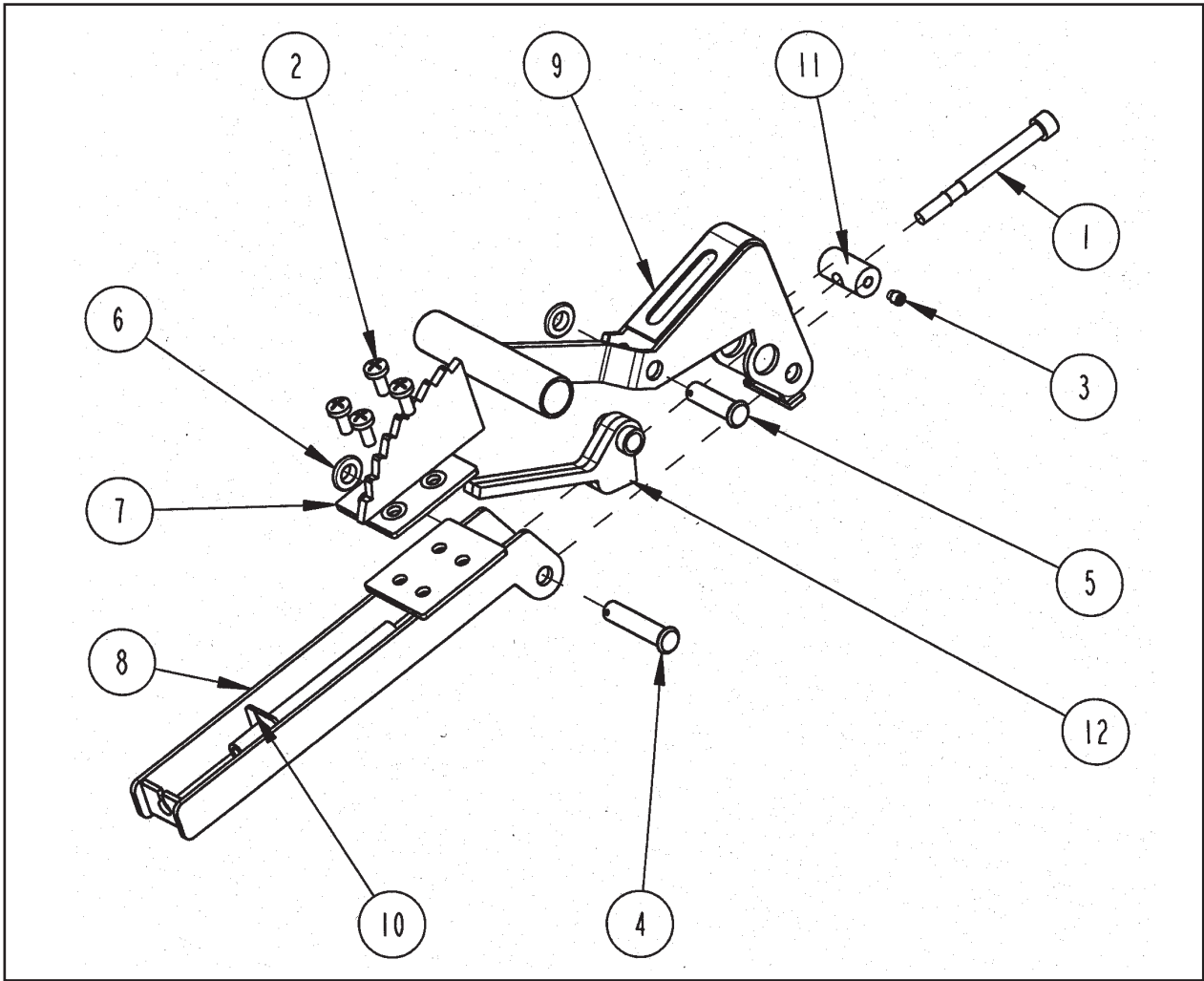
Date 0601

Pos	NO	DENOMINATION	Qty
1		Spring washer FBB M6	8
2		Spring washer FBB M10	4
3		Nut M6M 10	4
4		Screw M6S 10x16 fzb	4
5		Screw M6S 6x30 fzb	8
6		Carriage bolt MVBF 10x35 fzb	4
7	001905	Oil gun nipple	4
8	048968	Set of 4 blades	1
9	033081	Floating disc	1
10	033026	Hub	1
11	033027	Blade shaft	4
12	033030	Blade ring	1



## SPARE PART LIST

Date 0601		TREMIX Trowel G610E		
Pos	NO	DENOMINATION		Qty
1		Screw	MC6S 8x80 fzb	1
2		Screw	MRX 6x14 fzb	4
3		Socket screw	S6SS 6x8 fzb	1
4	002421	Cyl. bolt		1
5	002422	Cyl. bolt		1
6	002817	Lock washer		2
7	048946	Geared disc		1
8	048987	Lever bracket		1
9	033058	Arm		1
10	048939	Nut		1
11	048944	Wire bracket		1
12	048993	Latch		1
1		Washer	BRB 10.5x21x2 fzb	1
2		Spring pin	FRP 5x30	1
3		Socket screw	T&SS 5x12 fzb	2
4	000039	Flange bearing		1
5	045837	Knob		1
6	045839	Guide		1
7	045840	Adjustment screw		1
8	045902	Decal throttle lever		1
9	046343	Adjustment nut		1
10	047866	Distance sleeve		1
11	048998	Bearing bracket		1
12	048999	Nipple		1

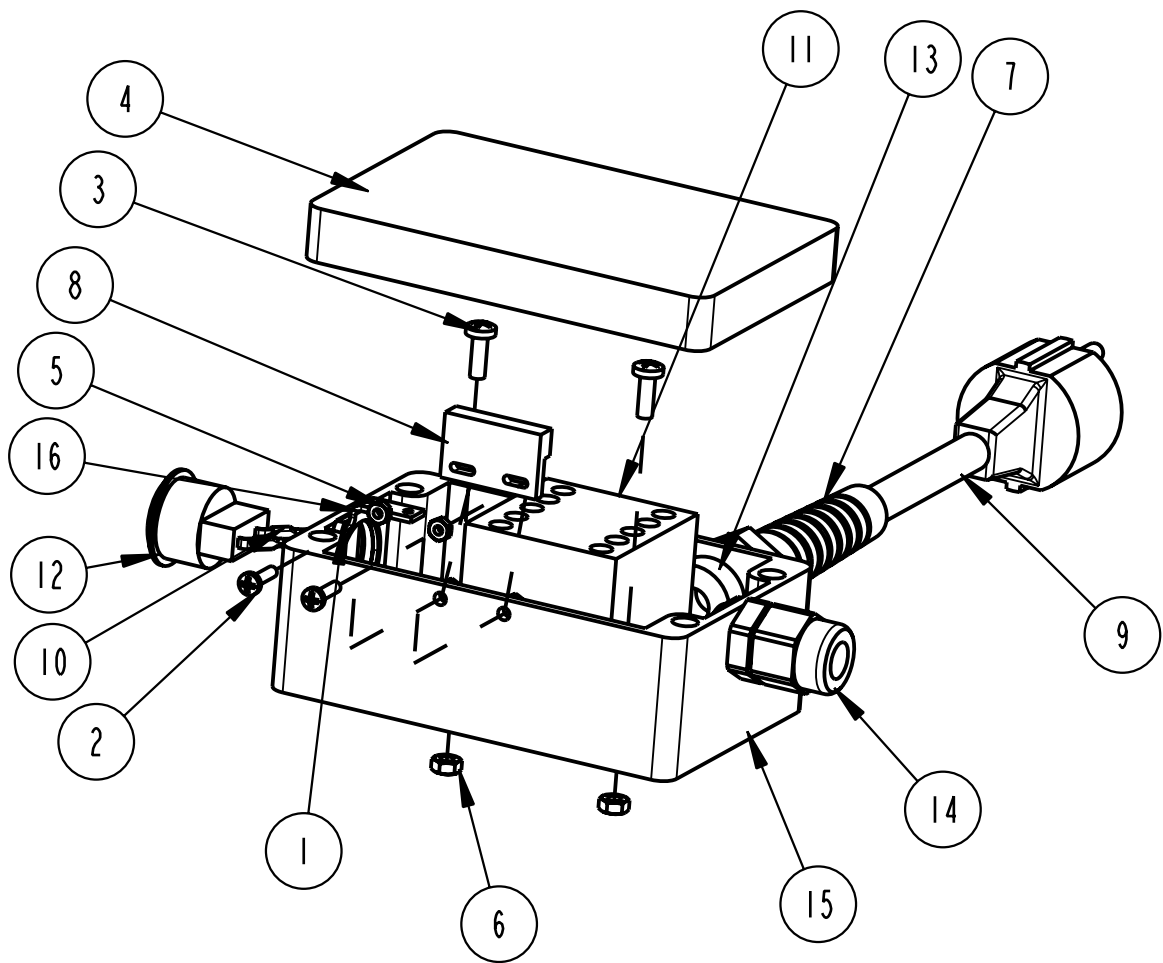


## SPARE PART LIST

### TREMIX Trowel G610E

Date 0601

Pos	NO	DENOMINATION	Qty
1		Locking nut part of 003738	1
2		Screw MRX 3x12 fxb	2
3		Screw MRX 4x12 fzb	2
4		Lid Part of 33100	1
5		Nut M6M 3 fzb	2
6		Nut M6M 4 fzb	4
7	003216	Cable gland	1
8	003313	Magnetic sensor	1
9	003627	Connection cable	1
10	003644	Terminal socket	2
11	003731	Contactactor	1
12	003738	Push button	1
13	003897	Locking nut	2
14	003899	Cable gland	1
15	033100	Connection box	1
16	049170	Earth connector	1



### RESERVDELSBESTÄLLNING

För att undvika felleveranser vid reservdelsbeställning är det angeläget att produkttyp och tillverkningsnummer såväl som pos., antal, benämning och detaljnummer anges.

### SPARE PARTS ORDERING

To prevent wrong deliveries, your orders should specify type of product, serial number as well as item No., quantity, denomination and part No.

### ERSATZTEILBESTELLUNG

Um fehlerhafte Lieferungen bei Ersatzteilbestellung zu vermeiden, ist es wichtig, daß Typ und Herstellungsnummer sowie Position, Anzahl, Benennung und Teil-Nr. angegeben werden.

